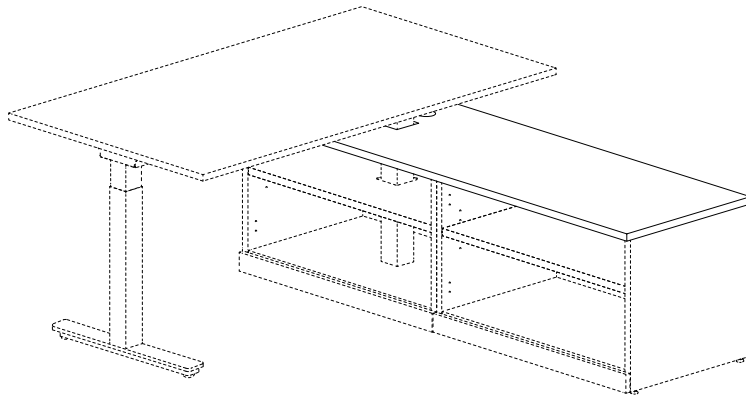




This assembly manual contains important safety information. Please read and keep for future reference.



Model No.: OS110HAT
Description: 72" Credenza Top

Useful Hints Before You Start

1. Read each step carefully before starting.
2. Before beginning assembly, identify, sort and count the parts before assembly.
3. Using the wrong screw will cause damage.
4. Using incompatible hardware might cause damage to product.
5. It is important that each step is performed in correct order to avoid difficulties.
6. Assemble your furniture on packaging cardboard to prevent scratch or damage.
7. Do not tighten any screws or bolt until the unit is completely assembled.
8. Keep all hardware parts out of reach of children.

Necessary Tools



Phillips
Screwdriver



Flat Head
Screwdriver



Hammer



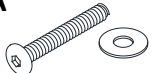

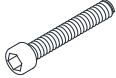
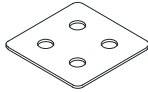
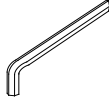

CAUTION – Risk of product damage!
Power Drill can be used on lowest torque setting.



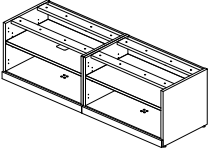
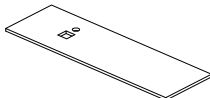
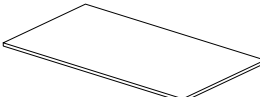
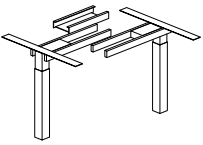
Please read completely through the instructions and verify that all listed parts and hardware are present before beginning assembly.

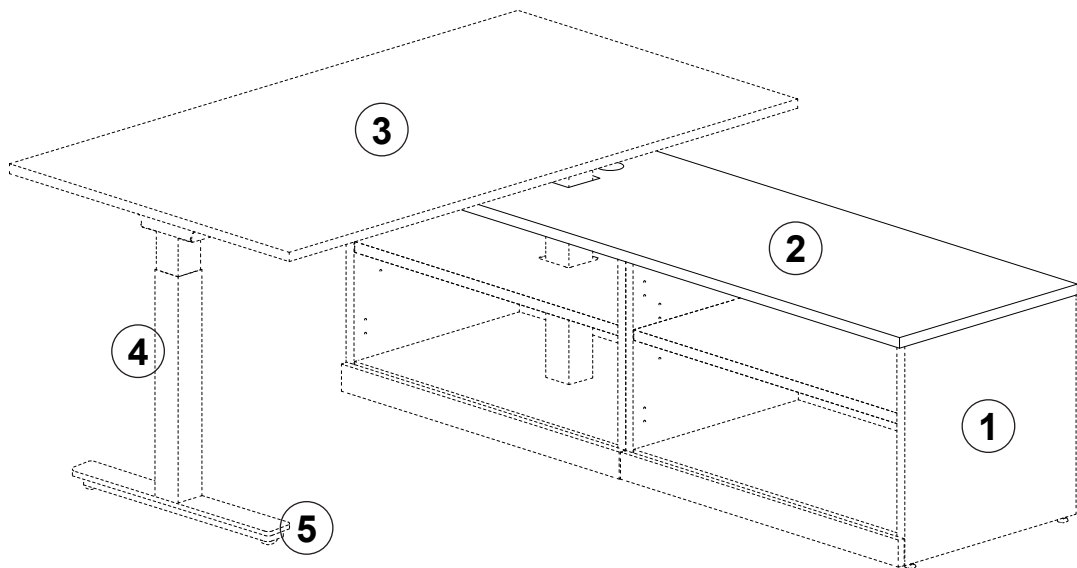
Hardware List

Hardware Pack for OS2013

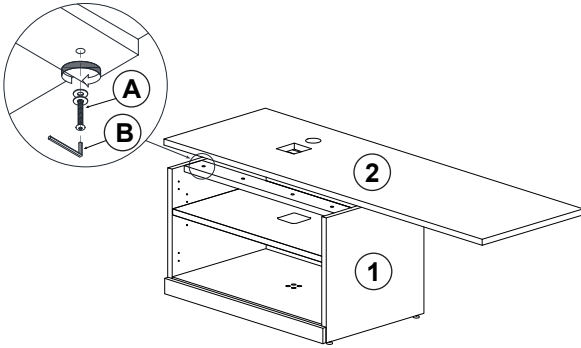
<p>A</p>  <p>JCBC Screw M6 x 40mm(4x) 1/4 Washer(8x)</p>	<p>B</p>  <p>M4 x 65mm Allen Key (1x)</p>	<p>C</p>  <p>Socket Cap Screw M10 x 70mm (4x)</p>	<p>D</p>  <p>Metal Plate (2x)</p>	<p>E</p>  <p>M10 Allen Key (1x)</p>	<p>F</p>  <p>Screw 3.5 x 16mm(8x)</p>
--	---	---	---	---	---

Parts List

<p>1</p>  <p>(Sold Separately) Open Shelf Cabinet (2x) OS2013</p>	<p>2</p>  <p>Top Panel (1x) OS110HAT</p>	<p>3</p>  <p>(Sold Separately) Top Panel (1x) OST TOP</p>	<p>4</p>  <p>(Sold Separately) HAT Leg (1x)</p>
<p>5</p>  <p>(Sold Separately) Foot (1x) OSADAPTHATFOOT</p>			

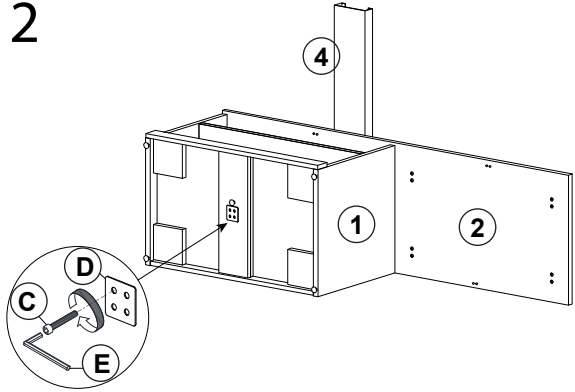


1



Attach the OS110HAT(2) to OS2013(1) by using JCBC Screw & Flat Washer(A).

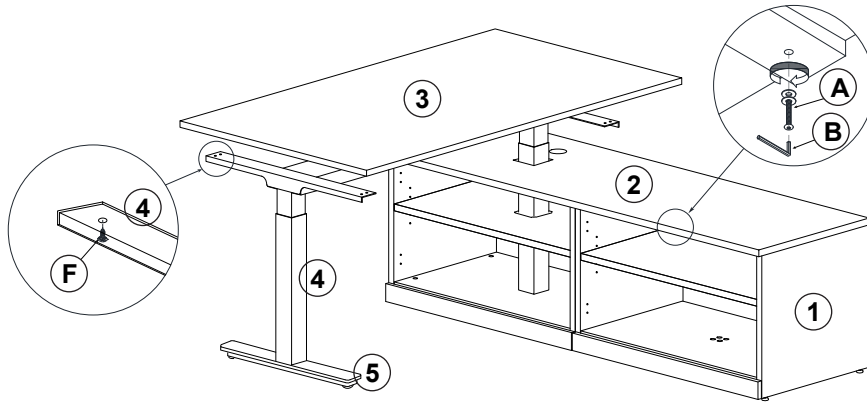
2



Attach Metal Plate(D) to OS2013(1) by using Socket Cap Screw(C) and M10 Allen Key(E). Align the Metal Plate(D) before tightening the Socket Cap Screw(C).

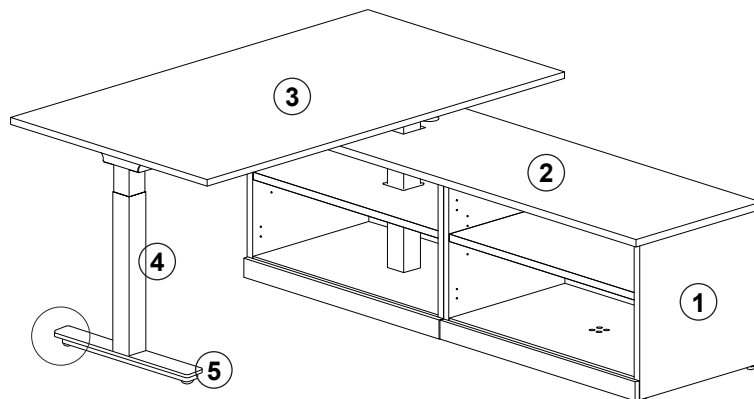
3

Attach the OS110HAT(2) to OS2013(1) by using JCBC Screw & Flat Washer (A).



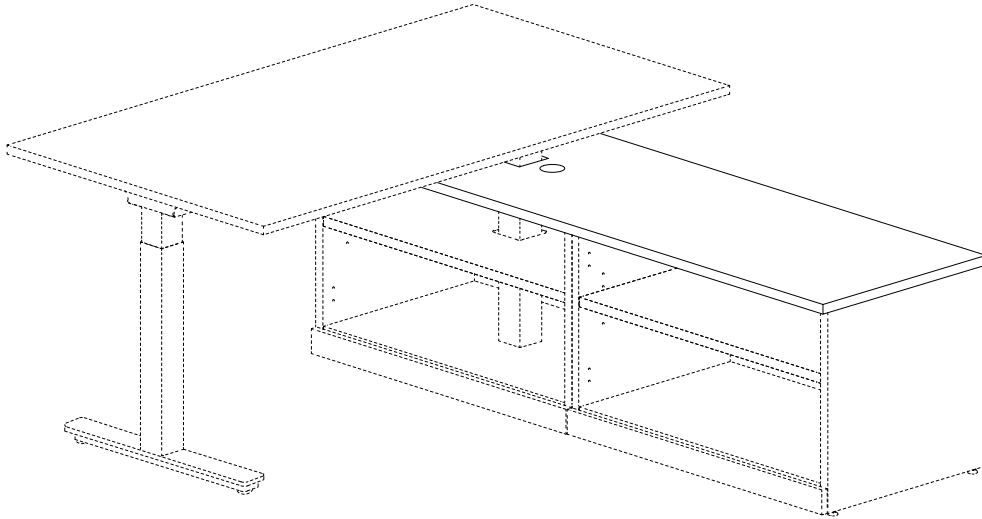
Assemble the HAT Leg(4) & attach the OST TOP(3) to HAT Leg(4) by Screw(F).

4



Adjust Foot(5) Adjustable Glide for better alignment .

Maximum Recommended Weight Loads



Care & Maintenance

- Check bolts/screws periodically and tighten them if necessary.
- Use a soft, clean cloth that will not scratch the surface when dusting.
- Clean the product with mild cleanser using soft damp cloth. Do not use harsh or abrasive cleanser.
- Liquid spills should be removed immediately. Using a soft clean cloth, blot the spill gently.
- Always use protective pads under hot dishes and plates. Heat can cause chemical changes that may create spotting within the furniture finish.
- It is best to keep your furniture in a climate-controlled environment. Extreme temperature and humidity changes can cause fading, warping, shrinking and splitting of wood. It is advised to keep furniture away from direct sunlight as sun may damage the finish.